

FIGURE 1
 TYPE SLW-T (0°), WOOD OR STEEL
 POLE TANGENT STRUCTURE

Second 345kV Tie Line to
 New Brunswick

BANGOR HYDRO-ELECTRIC COMPANY

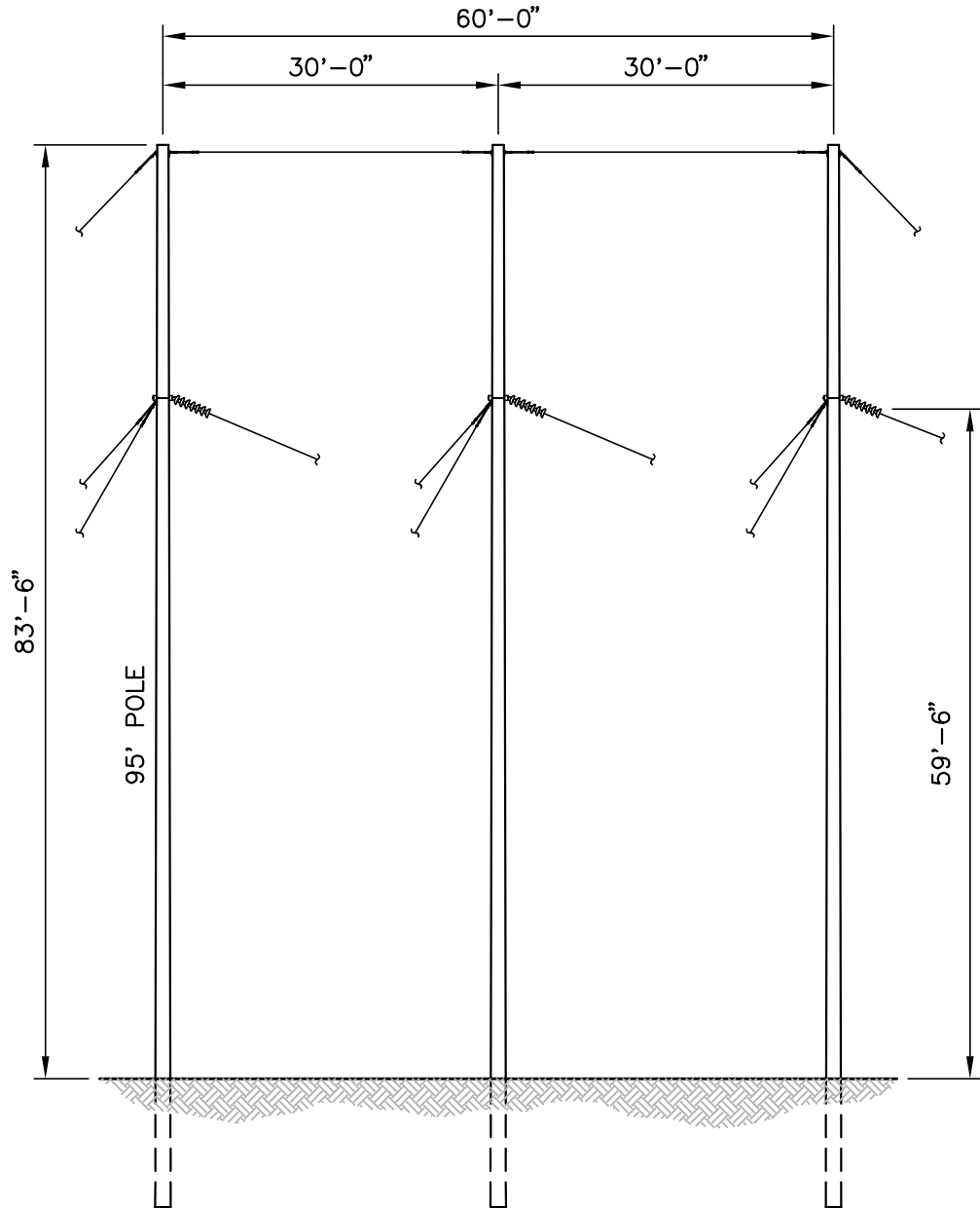
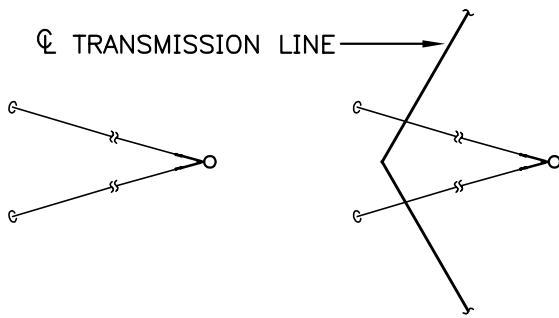
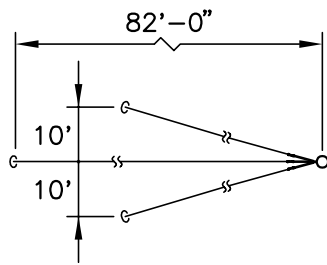


FIGURE 2
 TYPE SLW-T (20°-30°), WOOD OR
 STEEL 3-POLE MEDIUM ANGLE

Second 345kV Tie Line to
 New Brunswick

BANGOR HYDRO-ELECTRIC COMPANY

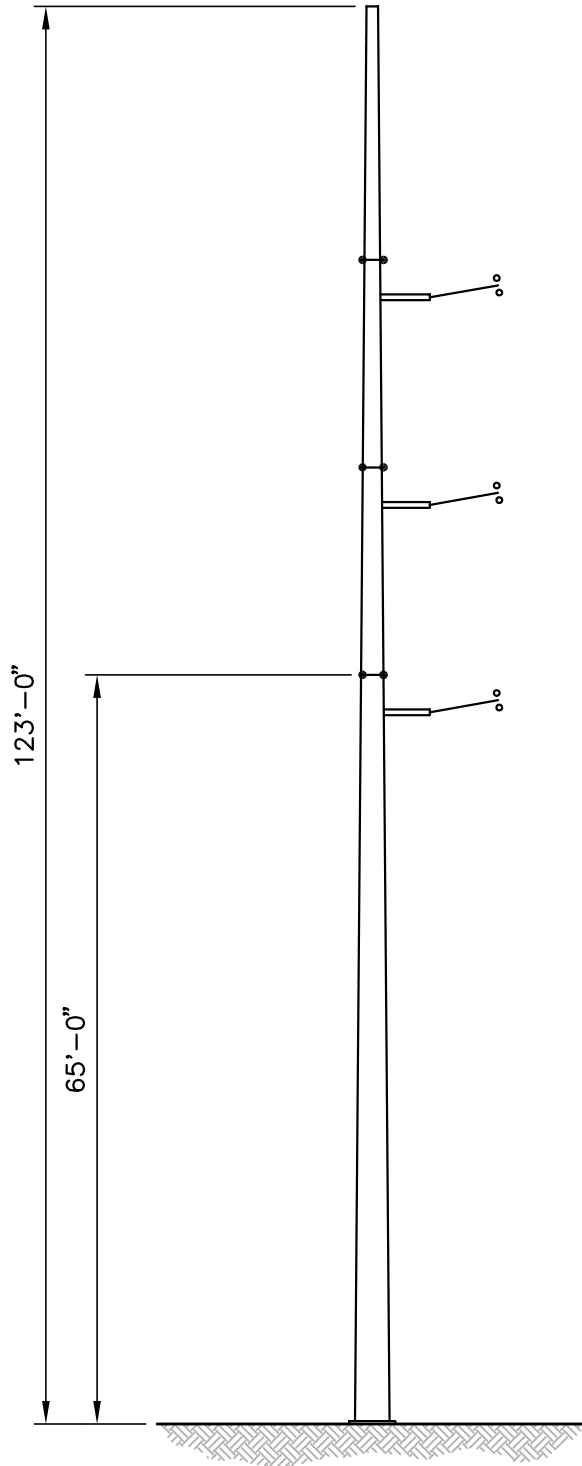


FIGURE 3
TYPE SLSP-LDE (0°-55°)
STEEL POLE DEAD-END STRUCTURE

Second 345kV Tie Line to
New Brunswick

BANGOR HYDRO-ELECTRIC COMPANY

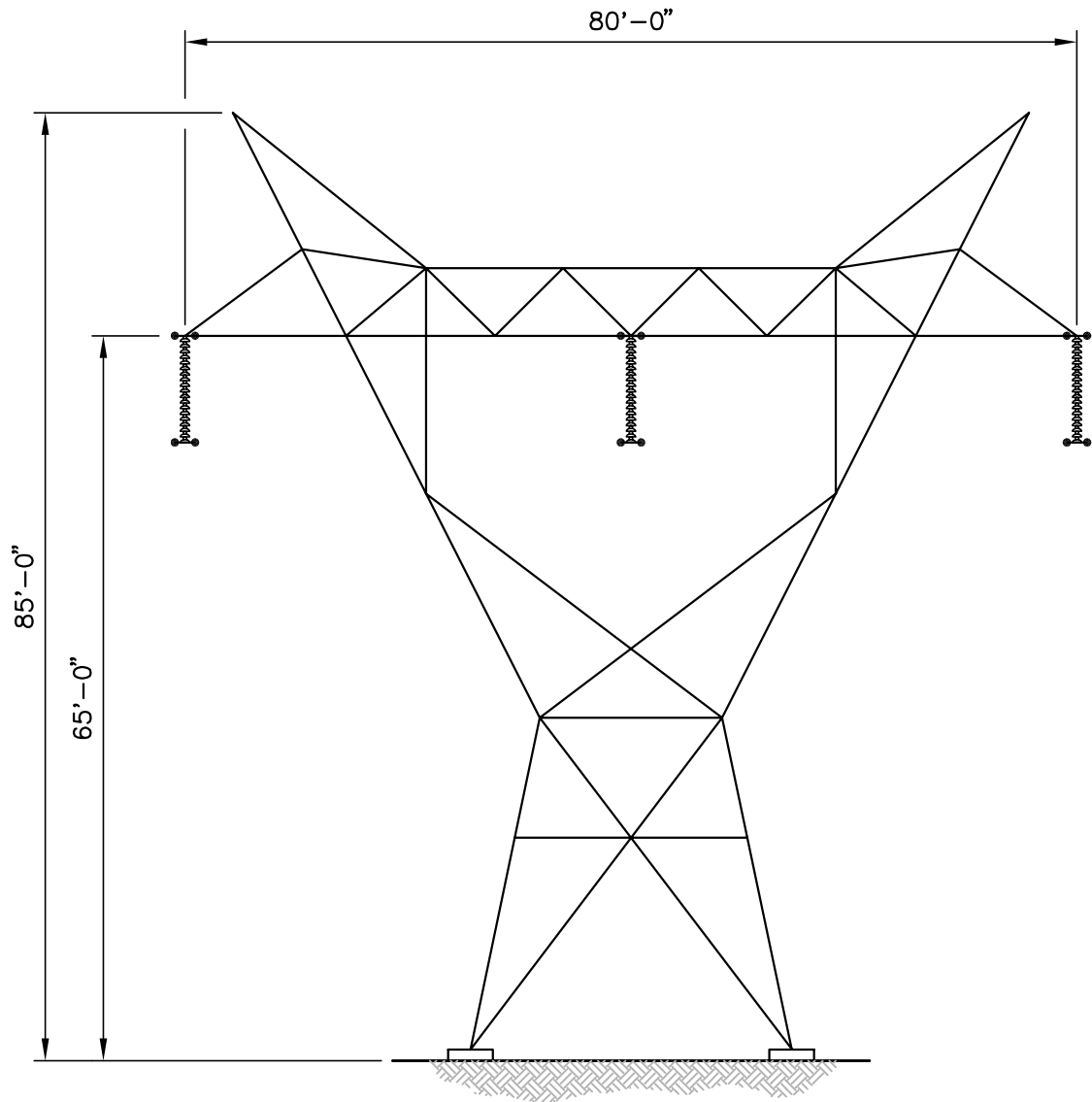


FIGURE 4
TYPE SLL-HDE (55°-90°), LATTICE STEEL
HEAVY DUTY DEAD-END STRUCTURE

Second 345kV Tie Line to
 New Brunswick

BANGOR HYDRO-ELECTRIC COMPANY

FILENAME: Pole Structures.dwg